

EARTHING SYSTEMS

GUMT earthing control system

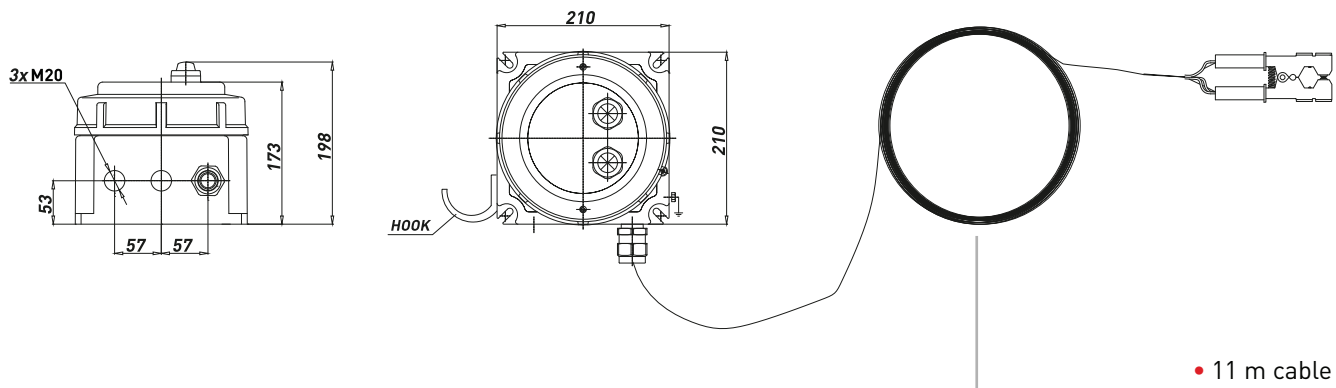


Control and discharge system for electrostatic charges suitable for road tankers, rail tankers and any movable tanker for dangerous items, ready for one/two double circuit clamps PTA ISEO-2. System is complete with arrest/consensus optical warning and changeover contact free from output voltage. The need to transfer from one place to another dangerous flammable fuels and liquids as gasoline and diesel highlighted the serious risk due to uncontrolled discharge of static charges cumulated on movable tanker-units during transfers following the well known natural phenomena when connected to loading / downloading tools (fixed). Following the natural tendency to the equilibrium of electrical potential a loading harm of a fuel depot, being connected to general earth circuit, will act as a discharge preferential path of all static charges cumulated on a next road tanker to load for instance gasoline. Very probably the same road tanker should have inside the residual vapours of previous load. Therefore the discharges of static following the insert of loading harm in the tanker will generate a spark with an energy enough to ignite the mixer gasoline – air present inside. Therefore to cause an explosion with all terrible consequences that can effect on humans and apparatus. The same condition can happen on rail tankers as well as movable barrels in use in paint manufacturing process, for instance between the harm of a mixer and the barrel of paint. The solution of the problem is to control the discharge of static charges driving it through a dedicated and safe path. Safe because Explosion proof.

TECHNICAL FEATURES

Material	Aluminium with low content of copper
IP rating	IP65/IP66
Ambient temperature range	-20°C to +55°C
Approvals	GUMT INERIS 00ATEX0033X TR CU
Marking	PTA CESI 03 ATEX 101 X
	GUMT II 2 GD Ex d IIC T5 Gb Ex tb IIIC T100°C Db IP66
	PTA II 2 GD Ex d IIC T6 Ex tD A21 IP65 T85°C
Surface treatment	Green colour polyurethane painting cycle RAL6003 (other colour available upon request)
Entries	n° 3 entries M20x1,5, one complete with brass nickel chrome plated plug
Rated nominal current (PTA)	6 mA
Rated nominal voltage (PTA)	0,25 V
Changeover contact rating (GUMT)	5 A
Standard certificate label	Made by self adhesive UV and corrosion resistant polyester, approved by INERIS Laboratory.
Accessories available upon request	Cable reel Drain/breather valve Internal anticondensate painting Traffolyte/Stainless steel certificate label

Dimensions GUMT



GUMT earthing control system

TYPE	CODE	VOLTAGE
GUMT-325	B0601.000001	110Vac o 220Vac +/-10%
GUMT-325 + 1 CLAMP PTA	B0601.000012	110Vac o 220Vac +/-10%
GUMT-325 + 2 CLAMPS PTA	B0601.000013	110Vac o 220Vac +/-10%
GUMT-325	B0601.000009	24Vdc
GUMT-325 + 1 CLAMP PTA	B0601.000014	24Vdc